

tapflo®

CTV VERTICAL PUMPS

edition 2015 rev 1



» All about your flow

www.tapflo.com



All about your flow. Everywhere.

Tapflo is a leading Swedish pump manufacturer with experience since 1980 and the ambition to provide a wide range of premium products for various industrial applications.

Tapflo is represented by own companies and distributors in more than 60 countries spread over the world. The headquarters are situated in Sweden.

Quality certified

At Tapflo we believe that quality is one of the highest values, both for our customers as well as our employees. As a result, we comply with various globally recognised certification and quality control institutions.

Many of our products comply with EC ATEX directives for equipment in explosion hazardous environments.

The aseptic series is EHEDG certified (European Hygienic Engineering & Design Group), the pharmaceutical series has USP VI approval.

All our products are obviously CE marked and followed by our comprehensive instruction manuals.

Tapflo manufacturing process is certified according to ISO 9001:2001.



Our values

■ Long term engagement is our core

Our aim is to continuously provide premium products according to evolving needs of our customers. That is why we see each customer relationship as a long term commitment.

■ Local means on your terms

Tapflo is your global partner providing local support. No matter where your plant is located you can expect us to support you locally.

■ Flexibility the foundation of good service

We are prepared to deal with reality, knowing that in practice this means answering questions, offering solutions and supplying spare parts with a minimal loss of time.

■ Customizing to bring the product to the needs

Our intention is always to help our clients find the most cost effective solutions to increase their company's efficiency. If this means changing the design of the pump we see it as a challenge - not a problem.

■ To produce is to develop

When you are actively involved in the manufacturing of a product, it is almost impossible not to discover ways to improve it. This allows us to frequently offer solutions that are even more sustainable and efficient.

CTV Vertical Pumps

The superior solution for a
reliable fluid circulation and transfer

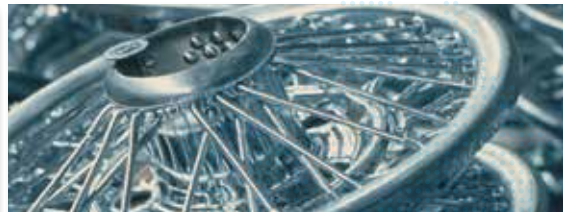
CTV is a single stage vertical centrifugal pump that is simple but very reliable in duty. The pump is specialized for transfer and circulation of various liquids from containers, sumps and tanks. CTV is manufactured from PP (polypropylene), PVDF or stainless steel AISI 316L.



Leakage free
and dry running safe
CTV is installed vertically with the motor above the liquid surface. In this way the pump does not need any mechanical seal that usually is a source for leakage problems. Further on the pump is designed to be dry running safe.

Nearly maintenance free
The simple design without bearings or mechanical seals grants for a pump that is usually maintenance free. CTV is also insensitive of solids, up to ?? mm are allowed (depending of pump size).

Replacing self priming pumps
In many installations the CTV pump replaces a self priming pump. The pump head of the CTV is submerged in the liquid. The pump operates more reliable compared with a self priming pump. The submersion depth is 419-425 mm (depending on model) but may also be equipped with a suction extension.



CTV pumps are successfully used in various applications in today's industries. Below are some examples.

Surface treatment
Transfer and return pumping in galvanizing, hot zinc, pickling and oxidation processes

Water treatment
Transfer and return pumping

Heat exchangers
Return pumping in heat exchangers

Waste disposal
Emptying sumps



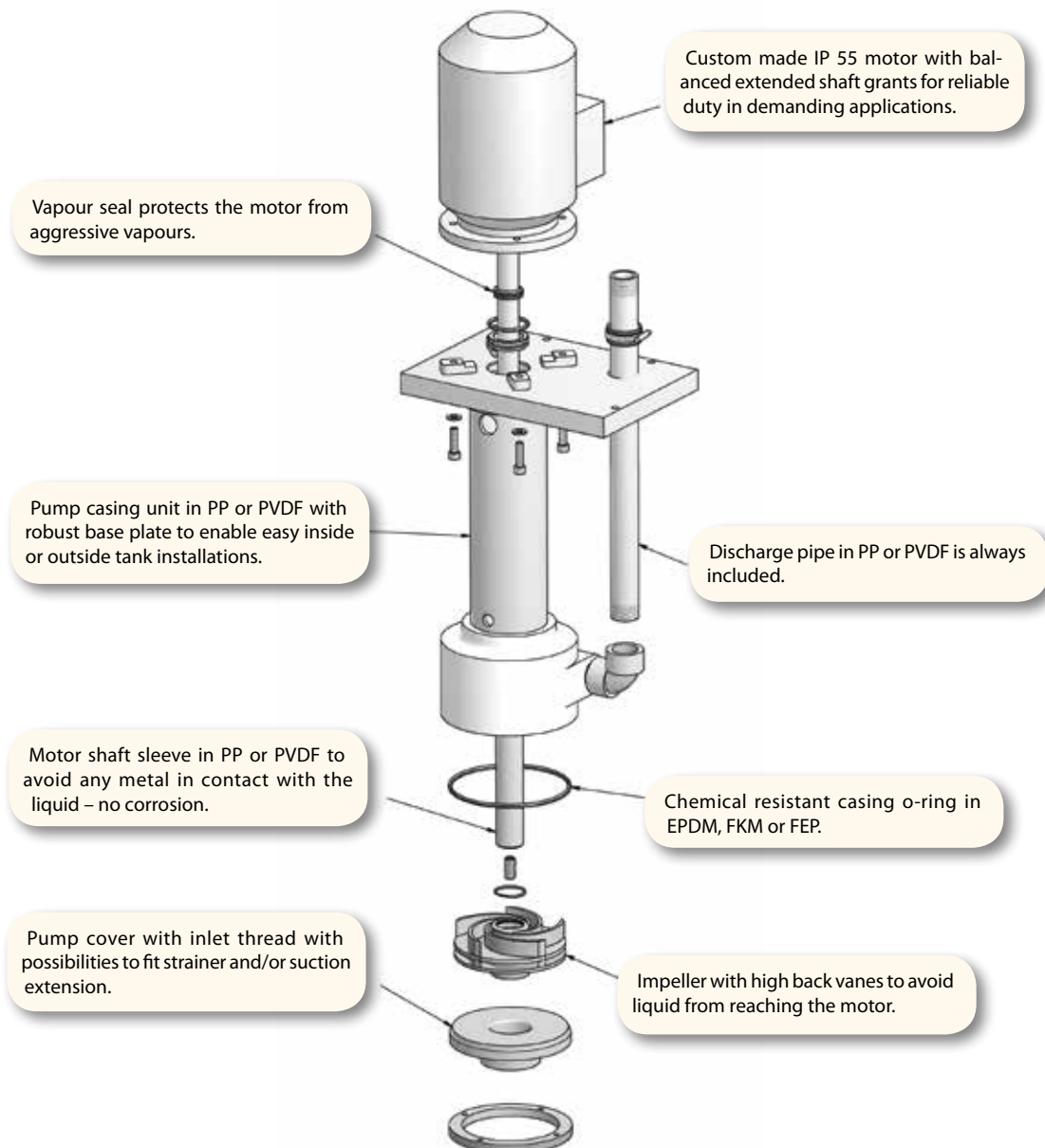
CTV is commonly installed in surface treatment baths, circulating through filter and further to nozzle ramps.



CTV 25-9:	10.2 m ³ /h
CTV 25-10:	13.2 m ³ /h
CTV 25-11:	15.6 m ³ /h
CTV 25-11.5:	18.0 m ³ /h
CTV 32-8.5:	19.8 m ³ /h
CTV 32-10:	24.0 m ³ /h
CTV 32-12.5:	27.0 m ³ /h

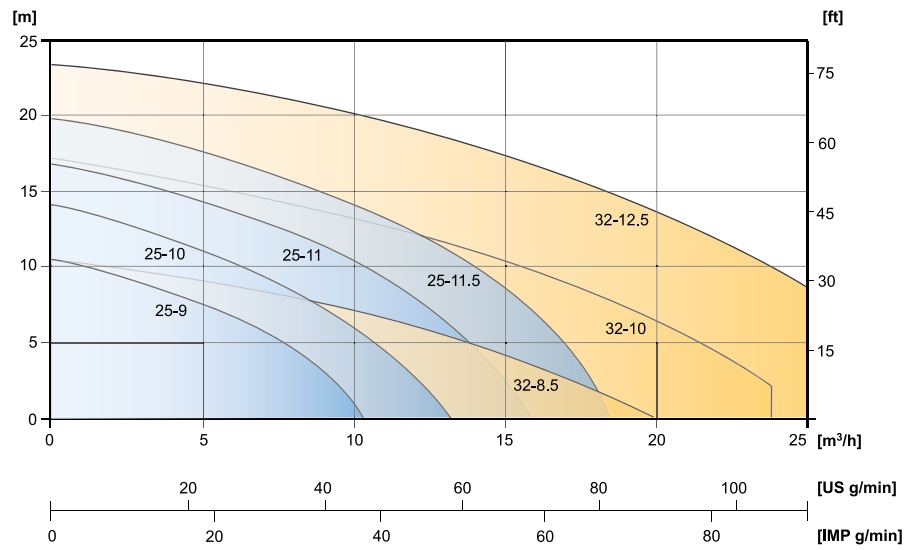
PP
 PP (polypropylene) is suitable for most types of chemicals at temperatures up to 70°C. Ideal for pickling baths and acid degrease solutions etc.

PVDF
 PVDF (polyvinylidene fluoride) has superior chemical and mechanical features. Ideal with hot acids up to 100°C, for example hot hydrofluoric acid.



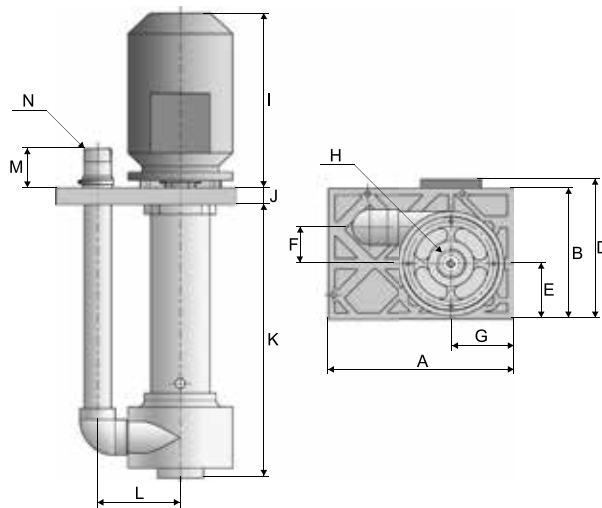
Performance curves

The performance curves are based on water at 20°C.



Dimensions and technical data

Dimensions in mm, where other is not indicated



Dimension	CTV 25	CTV 32
A	285	285
B	200	200
E	85	85
F	56	56
G	95	95
H	1"	1 1/4"
J	25	25
K	419	419
L	123	126
M	60	60
N	1"	1 1/4"
Motor power	D	I
0.55 kW	196	213
0.75-2.2 kW	214	267

General characteristics	25-9	25-10	25-11	25-11.5	32-8.5	32-10	32-12.5
Max capacity (m³/h)	10.2	13.2	15.6	18.0	19.8	24.0	27.0
Max head (m)	10	14	16	19	10	17	23
Motor power (kW)	0.55	0.75	1.1	1.5	1.1	1.5	2.2
Outlet dimension (male BSP)	1"	1"	1"	1"	1 1/4"	1 1/4"	1 1/4"
Motor data	3-phase, 2-pole (~2900 rpm), 380-420 VAC, 50 Hz, IP 55						
Max temperature	Pump in PP: 70°C, pump in PVDF: 100°C						
Materials							
Pump casing and impeller	PP or PVDF						
Casing o-ring	EPDM, FKM or FEP						

Contact us for detailed curves. Changes reserved without notice

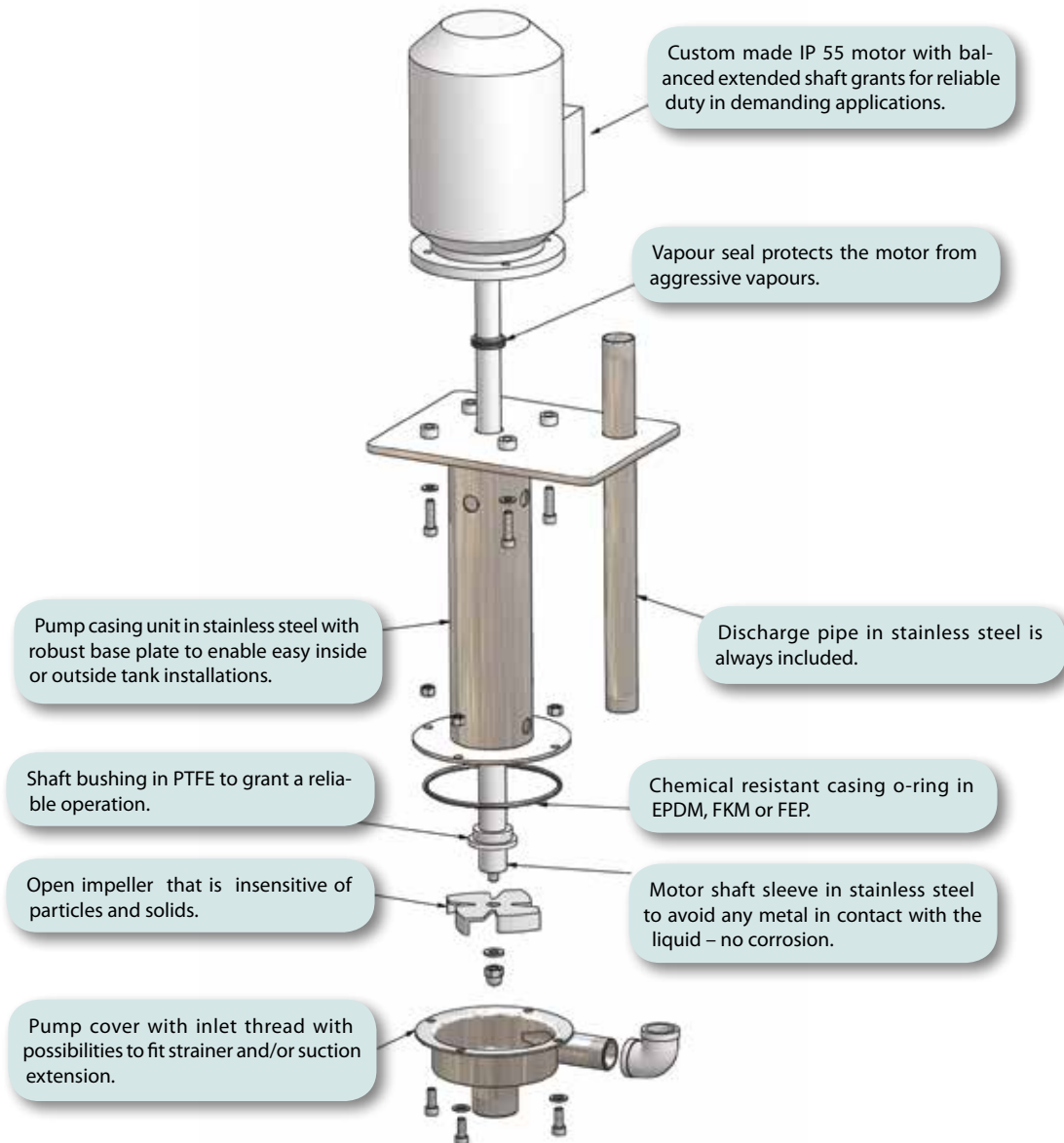


Stainless steel pumps
 The stainless steel version is ideal at higher temperatures, up to 100°C and in special applications like hot sodium hydroxide.

All wetted metal components are made from corrosion resistant stainless steel AISI 316L.

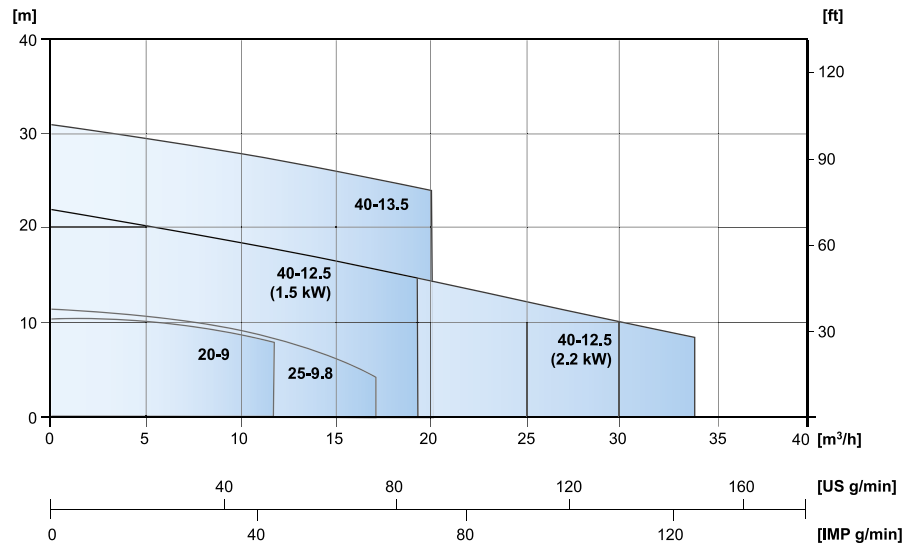
For special applications like handling of chromium nickel, electro polished models are available (pump on left side).

CTV 20-9:	12.0 m ³ /h
CTV 25-9.8:	17.0 m ³ /h
CTV 40-12.5:	34.0 m ³ /h
CTV 40-13.5:	20.0 m ³ /h



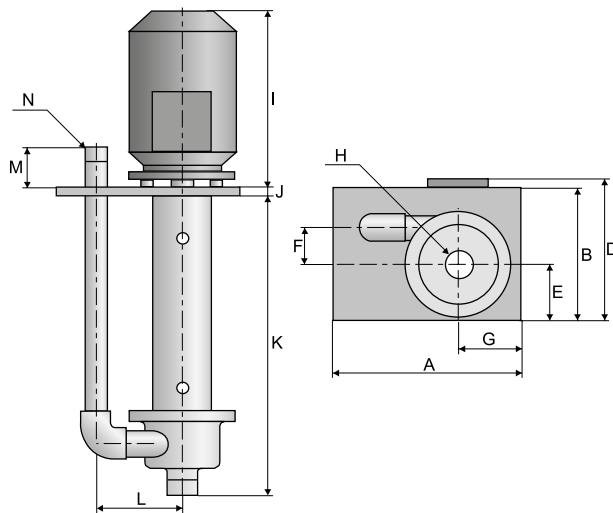
Performance curves

The performance curves are based on water at 20°C.



Dimensions and technical data

Dimensions in mm, where other is not indicated



Dimension	CTV 20	CTV 25	CTV 40
A	267	267	267
B	207	207	207
E	102.6	102.6	102.6
F	36	50	66
G	93.5	93.5	93.5
H	1"	1 1/2"	1 1/2"
J	8	8	8
K	420.5	420.5	425
L	113.5	127	139
M	60	60	60
N	3/4"	1"	1 1/2"
Motor power	D	I	
0.55 kW	214	211	
0.75-2.2 kW	253	265	

General characteristics	20-9	25-9.8	25-9.8	40-12.5	40-12.5	40-13.5
Max capacity (m³/h)	12.0	17.0	17.0	19	34	20
Max head (m)	10	11	11	22	22	31
Motor power (kW)	0.55	0.75	1.1	1.5	2.2	2.2
Outlet dimension (male BSP)	3/4"	1"	1"	1 1/2"	1 1/2"	1 1/2"
Motor data	3-phase, 2-pole (~2900 rpm), 380-420 VAC, 50 Hz, IP 55					
Max temperature	100°C					
Materials						
Pump casing and impeller	Stainless steel AISI 316L					
Casing o-ring	EPDM, FKM or FEP					

Changes reserved without notice

TAPFLO AB

Sweden

Filaregatan 4 | S-442 34 Kungälv

Tel: +46 303 63390

Fax: +46 303 19916

E-mail addresses:

Commercial questions: sales@tapflo.com

Orders: order@tapflo.com

Tech support: support@tapflo.com

Tapflo products and services are available in 64 countries on 6 continents.

Tapflo is represented worldwide by own Tapflo Group Companies and carefully selected distributors assuring highest Tapflo service quality for our customers' convenience.

AUSTRALIA | AUSTRIA | AZERBAIJAN | BELARUS | BELGIUM | BOSNIA | BRAZIL | BULGARIA | CHILE | CHINA | COLOMBIA | CROATIA | CZECH REPUBLIC | DENMARK | ECUADOR | ESTONIA | FINLAND | FRANCE | GREECE | GEORGIA | GERMANY | HONG-KONG | HUNGARY | INDIA | INDONESIA | IRAN | IRELAND | ISRAEL | ITALY | JAPAN | KAZAKHSTAN | LATVIA | LITHUANIA | MACEDONIA | MALAYSIA | MEXICO | MONTENEGRO | THE NETHERLANDS | NEW ZEALAND | NORWAY | POLAND | PORTUGAL | PHILIPPINES | ROMANIA | RUSSIA | SERBIA | SINGAPORE | SLOVAKIA | SLOVENIA | SOUTH AFRICA | SOUTH KOREA | SPAIN | SWEDEN | SWITZERLAND | SYRIA | TAIWAN | THAILAND | TURKEY | UKRAINE | UNITED ARAB EMIRATES | UNITED KINGDOM | USA | UZBEKISTAN | VIETNAM

Tapflo Group Companies

Austria

Tapflo Austria
Tel: +43 732 27292910
sales@tapflo.at

China

Tapflo (Wuxi)
Tel: +86 510 8241 7602
sales@tapflo.cn

Japan

Tapflo Japan K.K.
Tel: +81-3-6240-3510
tapflojp@tapflo.co.jp

Slovenia

Tapflo GmbH
Tel: +386 68 613 474
sales@tapflo.hr

Azerbaijan

Tapflo Azerbaijan LLC
Tel: +994 502660799
sales@tapflo.az

Denmark

Tapflo Danmark
Tel: +45 36 454600
info@tapflo.dk

Kazakhstan

Tapflo Kazakstan
Tel: +7 727 3278347
sales@tapflo.kz

Spain

Tapflo Iberica
Tel: +34 91 8093182
avives@tapfloiberica.es

Baltic States

Tapflo Latvia
Tel: +371 67472205
sales@tapflo.lv

France

Tapflo France
Tel: +33 1 34 78 82 40
info@tapflo.fr

Poland

Tapflo Sp. z o.o.
Tel: +48 58 530 42 12
info@tapflo.pl

South Africa

Tapflo (Pty) Ltd
Tel: +27 31 701 5255
sales@tapflo.co.za

Belarus

Tapflo Belarus
Tel: +375 17 3934609
sales@tapflo.by

Georgia

Tapflo Georgia
Tel: +995 577 463010
sales@tapflo.ge

Romania

S.C. Tapflo Rom. S.r.l.
Tel: +40 21 3451255
sales@tapflo.ro

Turkey

Tapflo Makina Ltd
Tel: +90 216 467 33 11
sales@tapflo.com.tr

Bulgaria

Tapflo EOOD
Tel: +359 (0)2 974 18 54
office@tapflo.bg

India

Tapflo Fluid Handling India Pvt Ltd
Tel: +91 20 65000215
ad@tapflo.in

Russia

Tapflo Company
Tel: +7 495 232 18 28
sales@tapflo.com.ru

Ukraine

TOB Tapflo
Tel: +380 44 222 68 44
sales@tapflo.com.ua

Croatia

Tapflo GmbH
Tel: +385 91 4884 666
sales@tapflo.hr

Ireland

Tapflo Ireland Ltd
Tel: +353 1 2011911
info@tapflo.ie

Serbia

Tapflo d.o.o.
Tel: +381 21 44 58 08
sales@tapflo.rs

Uzbekistan

Tapflo Uzbekistan
Tel: +998 712370940
sales@tapflo.uz

Czech Republic

Tapflo s.r.o.
Tel: +420 513 033 924
tapflo@tapflo.cz

Italy

Tapflo Italia
Tel: +39 0362307698
info@tapfloitalia.com

Slovakia

Tapflo s.r.o.
+421 911 137 883
tapflo@tapflo.sk

United Kingdom

Tapflo (UK) Ltd
Tel: +44 2380 252325
sales@tapflo pumps.co.uk